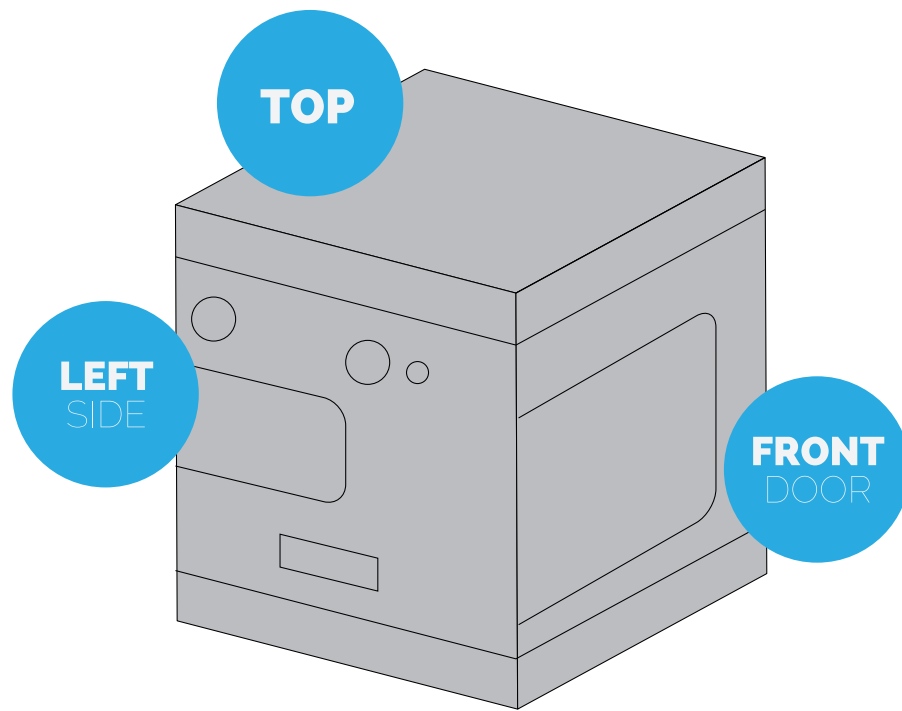




**OCR**  
OPTIMUM CLIMATE ROOM

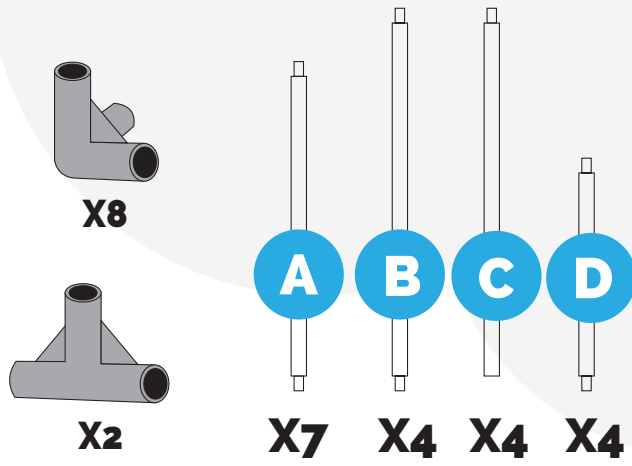


## ASSEMBLY INSTRUCTIONS

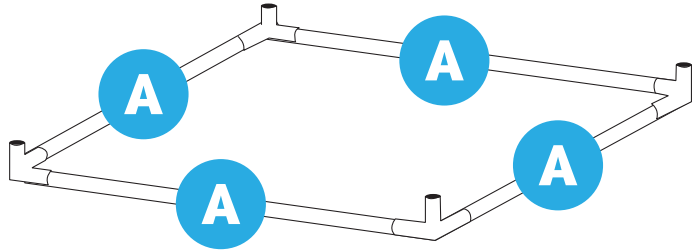
**OCR 150**  
**XXL SERIES**

[WWW.OCR-CLIMATEROOMS.COM](http://WWW.OCR-CLIMATEROOMS.COM)

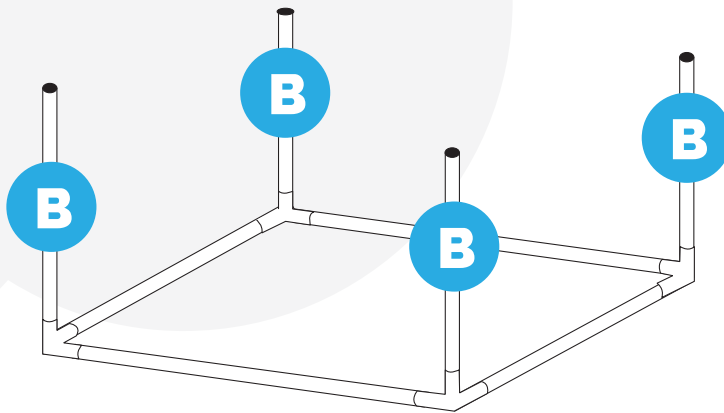
STEP 1



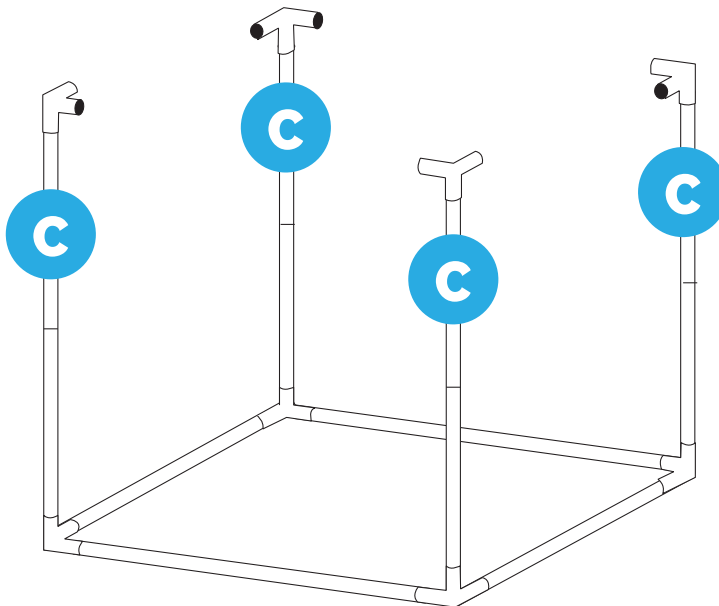
STEP 2



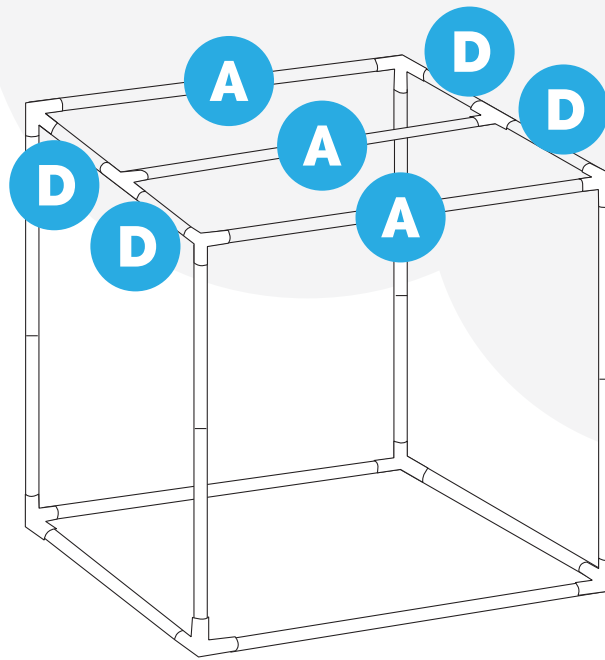
STEP  
3



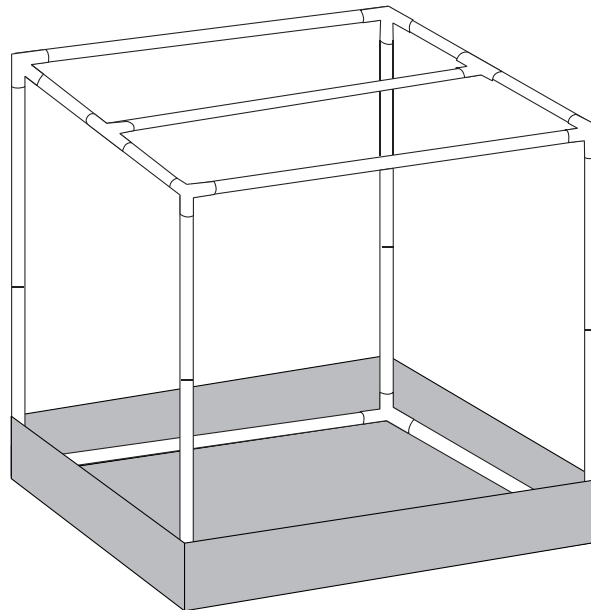
STEP  
4



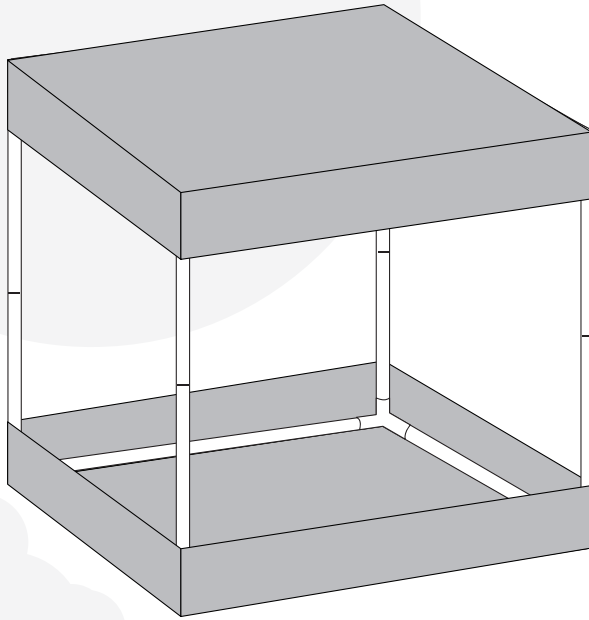
STEP  
5



STEP  
6



STEP  
5



STEP  
6

